

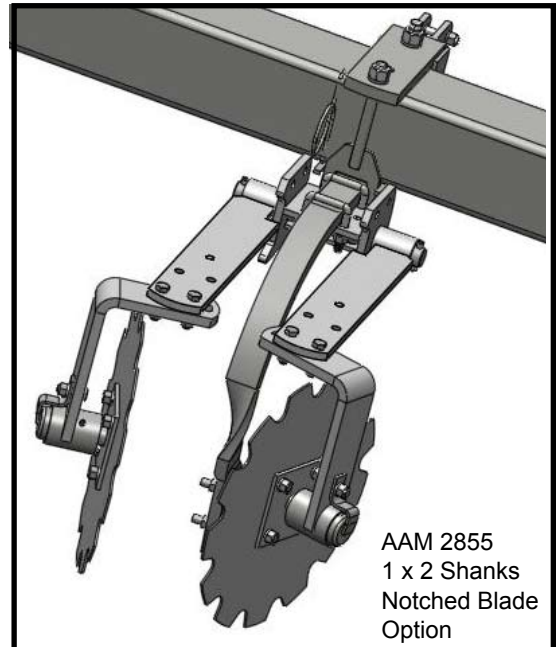
# SEALPro II™ Disc Sealer

## Low/No Maintenance Disc Sealer

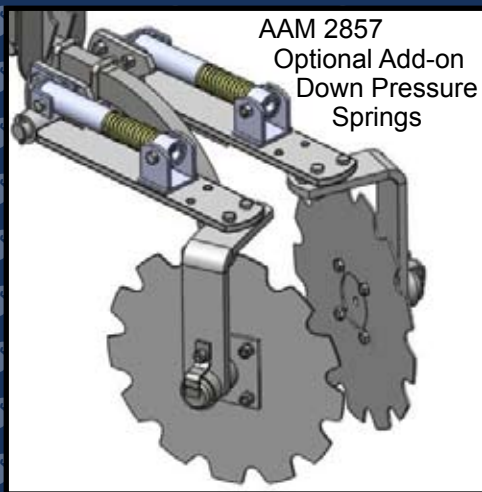
The SealPro disc sealer arms operate independently from each other, allowing superior trash flow and continuous soil contact. Heavy duty, low maintenance design requires no down pressure springs under typical conditions.

### Features:

- Independent vertical blade action penetrates heavy trash without springs
- 17" overall travel, 9" vertical travel from working depth climbs over obstructions
- Greaseless 1-1/4" plated pivot shaft with replaceable self-lubricating bushings offer low/no maintenance
- Adjustable blade position to match your conditions captures soil blowout for better coverage
- Adjustable blade pitch meets your soil conditions for positive sealing
- Flat face hub assures smooth residue and soil flow
- Mounts to edgebent and 1 x 2 flat shanks
- Blade options include:  
17" notched,  
17" wavy  
18" hoe wheel
- Optional down pressure springs available for heavy residue conditions or taller ridges



Field  
Proven



Find Out More... Call the BLU-JET Hotline  
(800-658-3127) Today

Thurston Manufacturing Company • 1708 H Ave  
Box 218 Thurston, Nebraska, 68062-0218

Phone: 402-385-3041 • Fax: 402-385-3043

E-mail: [box218@thurstonmfgco.com](mailto:box218@thurstonmfgco.com) • [www.thurstonmfgco.com](http://www.thurstonmfgco.com)

Design specifications and features as described are subject to change without notice. BLU-JET is a registered trademark of Thurston Manufacturing Company, Thurston NE. Copyright 2009 Thurston Manufacturing Company Form No. 15SealPro-0109TM

Distributed By: